

DALI6002E1

12-24V DC

Features:

- PWM output current : MAX 8A/CH
- DALI Digital control input, Dimming control LED module
- Addressing output channel
- Support Touch DIM function, and can be dimmed manually
- Dimming range is from 0-100% (LED Will start from 1%)
- Used for DC Power supply
- Short circuit protection
- Security level : 2
- Two channels 12-24VDC constant voltage output
- Flicker-free

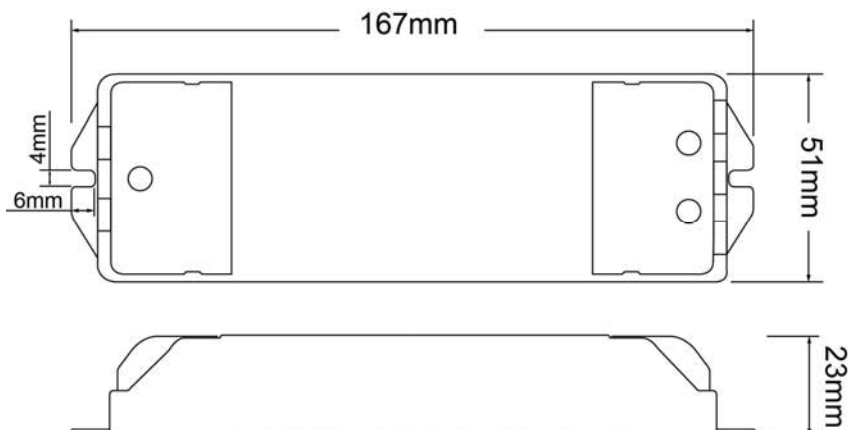

Model: DALI6002E1

Technical parameter:

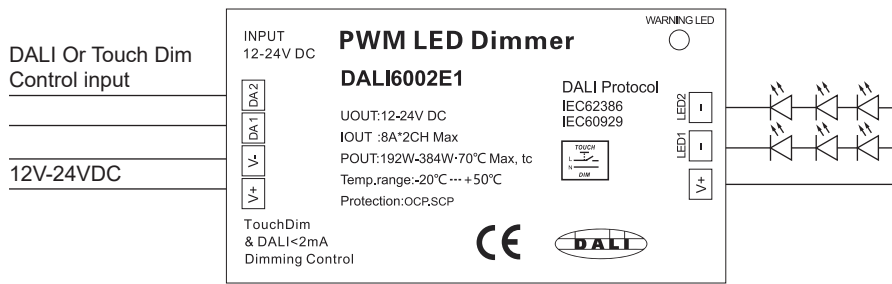
Parameter	Min.*	Nom.*	Max.	Unit
Input voltage range	12	12-24	24	Vdc
Touch DIM AC input voltage range	5	-	290	VAC
Touch DIM AC input voltage frequency range	45	-	65	Hz
12-24 V DC Input current	-	-	10	A/ ch
Output power	0.1	2 x96-192	2 x192	W
Output voltage	12	12-24	24	Vdc
Output current	-	-	8	A/ ch
Peak current	-	-	11.5	A/ ch
Dimming control DALI definition		IEC62386		
Out casing temp	-	-	70	°C
Surrounding temp	-20	-	50	°C
Protection	Short circuit protection			

*It's available in 25°C indoor

Size (mm)



Connecting:



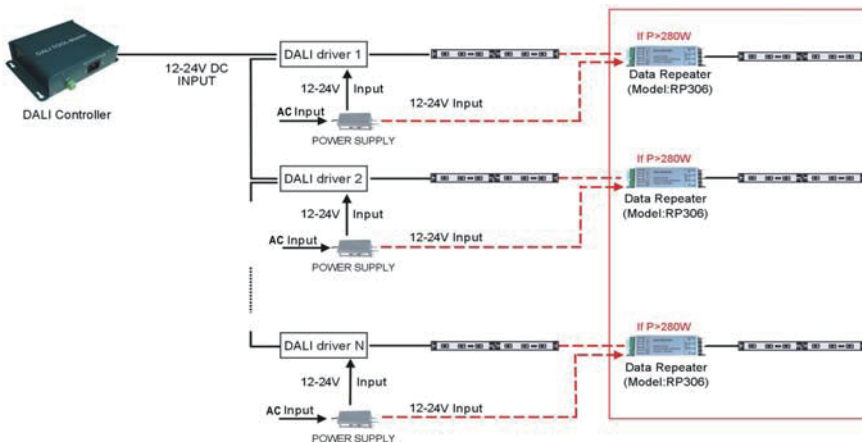
Touch DIM function instructions:

- 1) Press the Touch DIM switch for 8s or more, the driver can be controlled via Touch DIM switch.
- 2) Short press the Touch DIM switch (<0.5s) to control the lamp on or off.
- 3) Long press the Touch DIM switch (>0.5s) to dim the brightness of light. The dimming direction will change every time after pressing switch.
- 4) Double-click the Touch DIM switch (<0.3s), then all lamps connected on the device will be set maximum brightness.
- 5) When the light being turned off, long press the Touch DIM switch can turn on the light and adjust the brightness according to the dimming direction.
- 6) The brightness adjustment range is 1%-100%, and the light can be turned off through short pressing when doing the adjustment with long pressing Touch DIM switch.
- 7) With the Power off memory function, the power-down state will be recovered when power on again.

Product installation notes:

- 1) Remark: DALI and Touch DIM functions cannot be used simultaneously, which can be controlled respectively by using DALI controllers or the equipments with Touch DIM function
- 2) Please read the connecting instruction picture before installation
- 3) Please use the complete set of product according to the provided specification
- 4) Please firstly pressure the cap end down in wire connecting process, then insert the thread of wire, and lastly check the wire is or not insert firmly
- 5) Please check the connecting method is correct or not before connecting the power

DALI wiring diagram:



TouchDIM wiring diagram:

