

# DALI-200

## DALI Master Controller

### Product Features

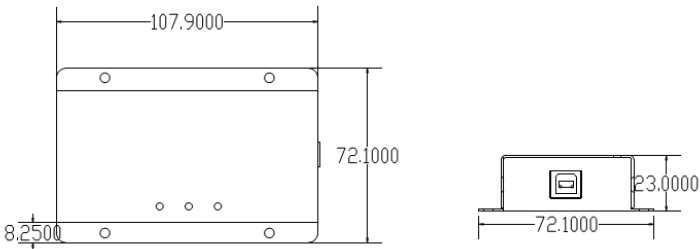
- Meet DALI Protocol IEC62386
- Automatically check equipments accessible to master
- Automatically allocate short addresses according to DALI Protocol
- Support re-addressing of all equipments
- Support operations of broadcast, single or group addresses controlling on equipments
- Able to set or read all the parameters in the parameter chart of DALI Protocol
- Able to set or read by groups and scenes
- Reserve debug command of DALI Protocol



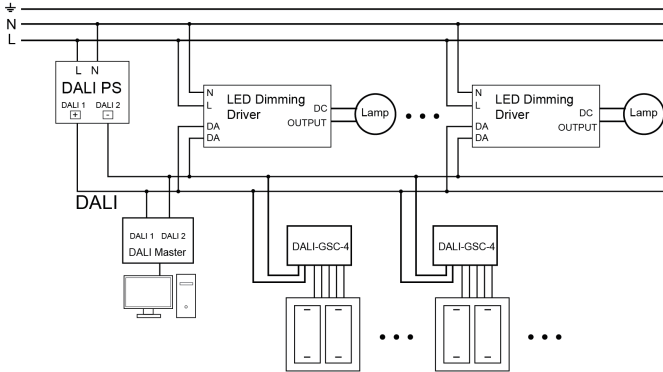
### Technical Parameters

Model	DALI-200
Supply via	DALI cable and USB interface
Current draw	2 mA from DALI
Input	1 USB
Output signal	DALI Signal
DALI protocol	IEC62386/IEC60929
Size	108mm*72.5mm*23.5mm
Type of protection	IP20
N.W.	200g
Working temperature	0°C - 50°C

### Dimension(mm)



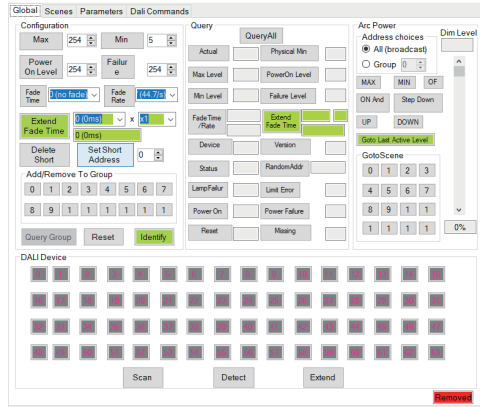
## Wiring Diagram



Remark: DALI-200 only provides DALI control signal. You need to use with DALI-130 to increase power supply capacity.

## PC Software

This controlling software is installed in the PC, it communicates and controls DALI-200 by a USB line. The fast communication and convenient maintenance make it much easier for operation between user and machine.



For more detailed information about this software, please visit [www.euchips.com](http://www.euchips.com)