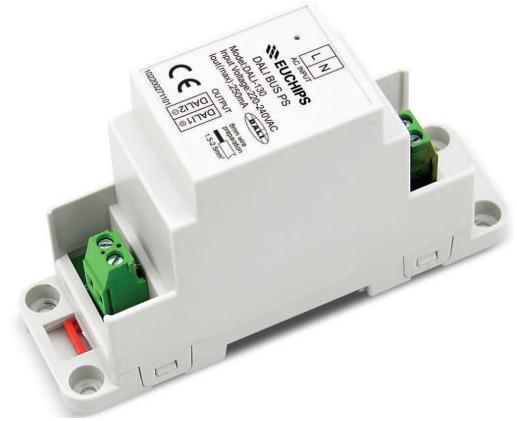


# DALI-130

## DALI BUS Power Supply

### Product Features

- Meet DALI Protocol IEC62386
- Output current up to 250mA Max
- Support two installation methods of rail and screw fixing
- Support over current protection
- LED indicator light indicate status



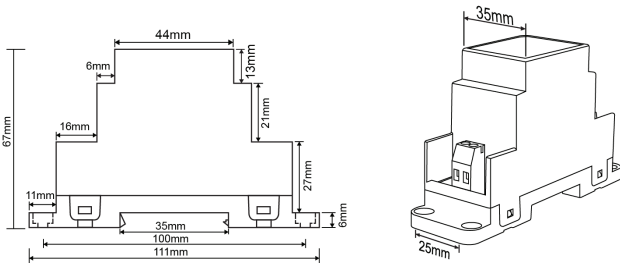
### Technical Parameters

Model	DALI-130
Input voltage	220-240VAC
Input frequency	50/60 HZ
Output voltage	16V+5%
Output current	250mA
Output power	4W
Working temp	-20-50°C
N.W.	71g
G.W.	105g
Product size	111*35*67mm (L*W*H)
Packing size	354*234*232mm (L*W*H) /60Pcs/Carton
Recommended wire size	1.5-2.5mm <sup>2</sup>

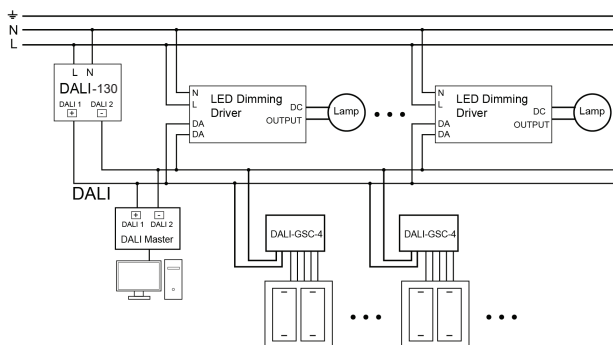
### Cautions

1. When using DALI-130 and DALI master controller simultaneously, you must ensure that the polarity connection of the DALI signal is correct .
2. Individual DALI circuits must not exceed 250mA, the number of drivers and controllers shall not exceed 64.
3. Usually, the current consumption of each DALI power supply is 2 mA, with 64 individual addresses this will consume 128mA. The remaining part is used to supply the DALI controller without built-in power supply (including DALI panel, DALI Group / scene controller).
4. The maximum cable length of the DALI signal wires must not exceed 300 m, and drop more than 2 V on the signal line voltage.It can be related to material, cross-sectional area,temperature. Refer to the table below :

### Dimension (mm)



### Wiring Diagram



Material	Cross-sectional area /mm <sup>2</sup>	Wires length/m			Material	Cross-sectional area /mm <sup>2</sup>	Wires length/m		
		25c	50c	75c			25c	50c	75c
Copper	0.14	31	28	26	Aluminium	0.14	19	17	16
	0.50	112	102	93		0.50	68	62	57
	0.75	168	153	140		0.75	102	93	96
	1.00	224	204	187		1.00	136	125	115
	1.50	300	300	281		1.50	205	187	172
	2.00	300	300	300		2.00	273	250	230
2.50	300	300	300	2.50	300	300	280		