

EUP24D-1H24V-0 (Product No.:102200011101)

Summary

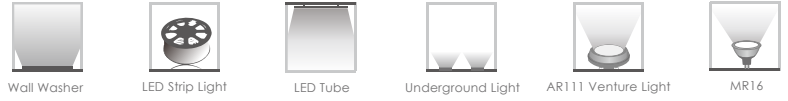
EUP24D-1H24V-0 is a constant voltage mode output LED driver and complies with DALI standard protocol IEC 62386. This driver can be connected to DALI main controller or Touch DIM to achieve a smooth dimming effect.



Product Features

- Single channel constant voltage output, 1A Max
- Meet DALI protocol IEC 62386
- Support Touch DIM function
- Dimming effect smooth, no flicker
- Over temperature protection, short circuit protection, overload protection
- IP20, suitable for indoor LED lighting application

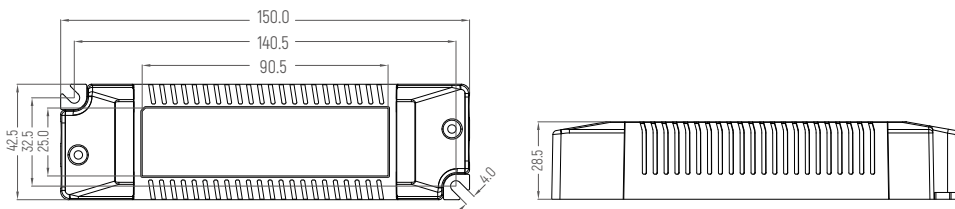
Application



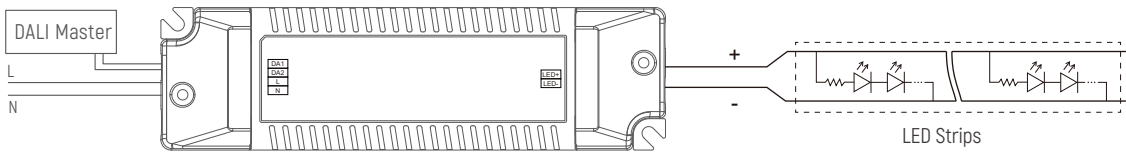
Technical Parameters

| Model | EUP24D-1H24V-0 | |
|-------------|-----------------------------------|--|
| Input | Efficiency | >85%@230VAC, Full load |
| | Voltage | 220VAC-240VAC |
| | Frequency Range(Hz) | 50/60Hz |
| | Power Factor | ≥0.95@115VAC, Full load |
| | THD(full load) | <10%@230VAC, Full load |
| | AC Current(max) | 0.15Amax@230VAC |
| | Inrush Current(max) | Cold start, 15A(twidth=40us measured at 50% Ipeak) @230VAC |
| Output | Current(A)/Voltage (VDC) Power(W) | 1A/24VDC/24W |
| | R & N (Max) | 400mVp-p |
| | Channel | 1 |
| | Current Tolerance | ±3% |
| | Turn on delay Time | <1.5s, at230Vac |
| Function | Dimming Type | DALI Dimming / Touch-dim |
| | Dimming Range | 1%-100% Dimming to off |
| Protection | Over temperature | Shut down and auto-restart after normal temperature |
| | Over load | Hiccup, recovers after fault condition is removed |
| | Short Circuit | after fault removed Close output, the output current recovers automatically |
| Safety& EMC | Withstand Voltage | I/P-O/P: 3000VAC/1min/5mA |
| | DALI Standard | IEC 62386-101: 2014, IEC 62386-102: 2014; IEC 62386-207: 2009, DALI 1.0 |
| | Safety Standards | EN61347, GB19510 |
| | EMC Emission | EN50515, EN61000-3-2 |
| | EMC Immunity | EN61000-4-2, 3, 4, 5, 6, 8, 11; EN61547 |
| Others | Working Temp. | -20°C-50°C |
| | Storage Temp., Humidity | -40°C-85°C, 20-90%RH |
| | tc | 90°C |
| | Material | PC |
| | IP Rating | IP20 |
| | Lifetime | 30,000h@tc:80°C |
| | Warranty Condition | 3 years |
| | Switch Cycle | >15,000 times |
| | Packing(weight) | Net weight: 150g±5%/PCS; 50PCS/ Carton; 11.75kg±5%/Carton; Carton Size: 374*314*166mm(L*W*H) |
| | Dimension | 150*43*29mm (L*W*H) |

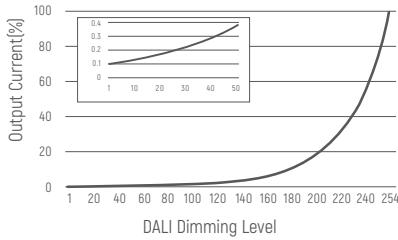
Dimension(mm)



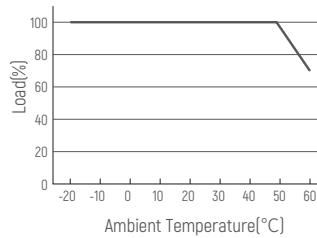
DALI Wiring



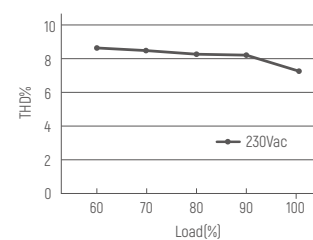
Dimming Curve



Derating Curve

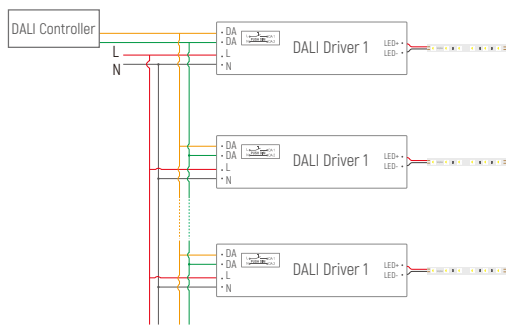


THD vs Load

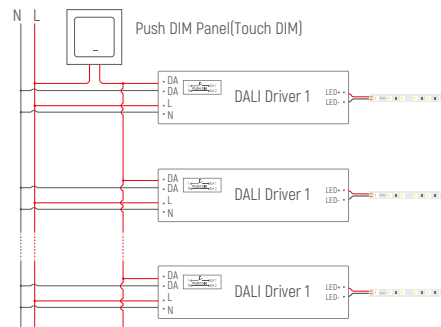


Note: For capacitive load, the larger inrush current will reduce the service life of the electrolytic capacitor. Before using this product, please contact the relevant technical personnel to match and verify.

DALI Diagram



Push DIM(Touch DIM) Diagram



Remark: Only use open push button without indicator light. Maximum cable length between each Unit: 20 meters.

Push DIM Function

1. Press the Push DIM (Touch DIM) switch for 8s or more, the driver can be controlled via Push DIM switch.
2. Short press the Push DIM (Touch DIM) switch (<0.5s) to control the lamp on or off.
3. Long press the Push DIM (Touch DIM) switch (>0.5s) to dim the brightness of light. The dimming direction will change every time after pressing switch.
4. Double-click the Push DIM (Touch DIM) switch (<0.3s), then all lamps connected on the device will be set maximum brightness.
5. The brightness adjustment range is 1%-100%, and the light can be turned off through short pressing when doing the adjustment with long pressing Push DIM (Touch DIM) switch.
6. With the Power off memory function, the power-down state will be recovered when power on again.

Cautions

1. The product shall be installed and serviced by a qualified person.
2. This product is non-waterproof. Please avoid the sun and rain. When installed outdoors please ensure it is mounted in a water proof enclosure.
3. Good heat dissipation will prolong the working life of the controller. Please ensure good ventilation.
4. Please check if the output voltage and current of any LED power supplies used comply with the requirement of the product.
5. Please ensure that adequate sized cable is used from the controller to the LED lights to carry the current. Please also ensure that the cable is secured tightly in the connector.
6. For safety consideration, PVC or rubber cord of 0.75-1.5mm is recommended for input and output terminal(s) (excluding signal terminals). Flat power cord is not suitable. Ensure all wire connections and polarities are correct before applying power to avoid any damages to the LED lights.
7. If a fault occurs please return the product to your supplier. Do not attempt to fix this product by yourself.

※ The contents of this manual are updated without prior notice. If the function of the product you are using is inconsistent with the instructions, the function of the product shall prevail. Please contact us if you have any questions.