

EUP50A-1HMC-1 (Product No.:103100220101)

Summary

EUP50A-1HMC-1 is a constant current output mode LED driver. The output current can be easily set via DIP switch, and the driver can be adjusted by the external 0/1-10VDC active signal, PWM signal, or adjustable resistance to achieve the smooth dimming effect.



Product Features

- Single channel output, output current level selectable by DIP S.W.
- Support 3-in-1 dimming mode(0/1-10V active signal, adjustable resistance, PWM)
- High input voltage of 220VAC ~ 240VAC
- High efficiency up to 88%
- Built-in active PFC function
- 100% output when no dimming signal input, can be used as normal power supply
- Dimming effect smooth, no flicker
- Protections: Short circuit, over load, over temperature
- Suitable for indoor LED lighting application, such as down light, panel light, and so on



Application



Technical Parameters

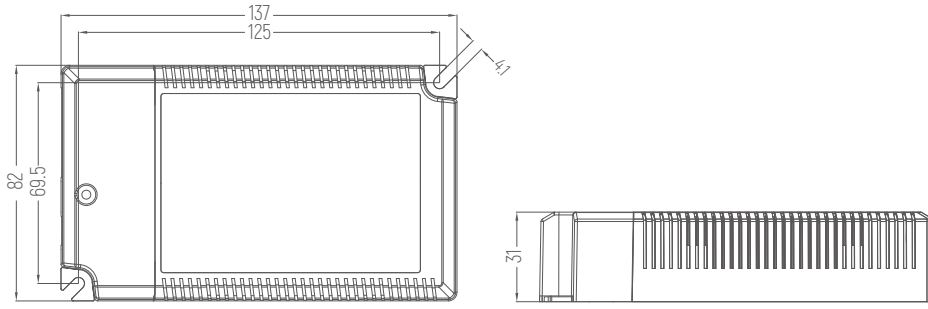
Model	EUP50A-1HMC-1				
Input	Efficiency	88%@230VAC, Full load			
	Voltage	220VAC-240VAC			
	Frequency Range(Hz)	50/60Hz			
	Power Factor	≥0.95@230VAC, Full load			
	THD(full load)	<10%@230VAC, Full load			
	No-load power consumption	<0.5W			
	AC Current(max)	0.28Amax@230VAC			
	Inrush Current(max)	Cold start,40A(twidth=12.8us measured at 50% Ipeak)@230VAC			
Output	Current(mA)/Voltage (VDC)	1050mA/9-45VDC/47.25W	1100mA/9-45VDC/49.5W	1150mA/9-43VDC/39.9W	1200mA/9-42VDC/50.4W
	Power(W)	1250mA/9-40VDC/50W	1300mA/9-38VDC/49.4W	1350mA/9-37VDC/49.95W	1400mA/9-36VDC/50.4W
	Ripple Current	<3%			
	Channel	1			
	Current Tolerance	±5%			
	Standby Power	<1W			
No load output voltage	55V Max				
Function	Dimming Type	0/1-10V active signal, adjustable resistance, PWM			
	Dimming Range	0.1%-100% Dimming to off			
Protection	Short Circuit	after fault removed Close output, the output current recovers automatically			
	Over Load	When the output voltage is exceeded, the output current decreases and, recovers automatically when the load is reduced.			
	Over Temperature	Shut down the output, recovers automatically when temp. back to normal.			
Safety& EMC	Surge	L-N:500V			
	Withstand Voltage	I/P-O/P: 3000VAC/1min/5mA			
	Safety Standards	EN61347, GB19510			
	EMC Eission	EN50515, EN61000-3-2			
	EMC Immunity	EN61000-4-2, 3, 4, 5, 6, 8, 11; EN61547			
Others	Working Temp.	-20°C~50°C			
	Storage Temp., Humidity	-40°C~85°C, 20-90%RH			
	tc	95°C			
	Material	PC			
	IP Rating	IP20			
	Lifetime	30,000h@tc:80°C			
	Warranty Condition	3 years			
	Switch Cycle	>15,000 times			
	Packing(weight)	Net weight: 225g±5%/PCS; 50PCS/Carton; 11.75kg±5%/Carton; Carton Size: 516*337*179mm(L*W*H)			
	Dimension	137*82*31mm (L*W*H)			

Current Selection Table

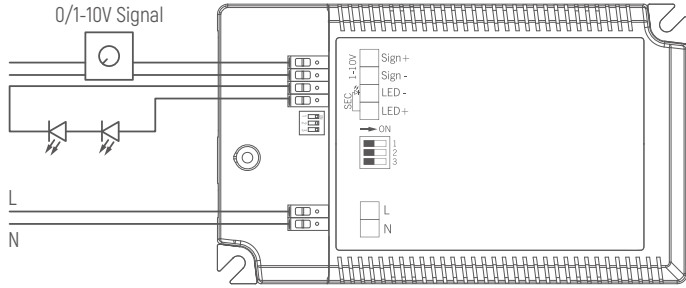
ON	OFF	1 2 3	1 2 3	1 2 3	1 2 3	1 2 3	1 2 3	1 2 3	1 2 3
		1050mA	1100mA	1150mA	1200mA	1250mA	1300mA	1350mA	1400mA
		9-45V	9-45V	9-43V	9-42V	9-40V	9-38V	9-37V	9-36V

Remark: Function default setting is: 1050mA (@switch are all OFF state)

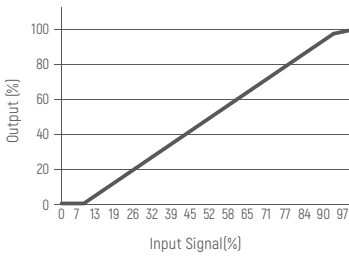
Dimension(mm)



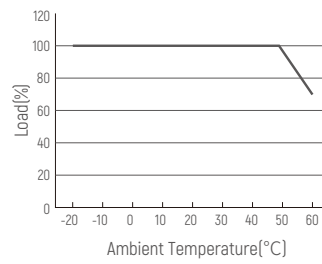
0/1-10V Wiring



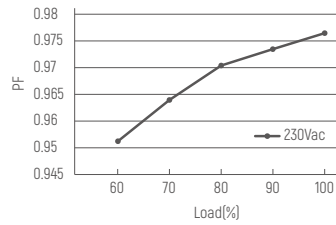
Dimming Curve



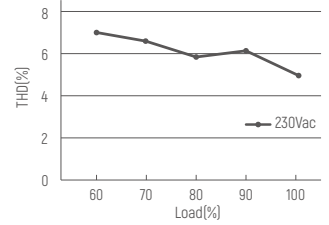
Derating Curve



Power Factor Characteristic



THD vs Load



Cautions

- 1.This product should be installed by qualified personnel.
- 2.This product is non waterproof, need to avoid sun and rain.In case of outdoor use, please ensure it is mounted in a water proof enclosure.
- 3.Good heat dissipation conditions extend product life. Please install the product in a well-ventilated environment.
- 4.Please make sure LED power supply output voltage, current is used to meet the product requirements.
- 5.Please ensure that adequate sized cable is used from the controller to the LED lights to carry the current. Please also ensure that the cable is secured tightly in the connector.
- 6.Due to safety concerns, PVC or rubber cord of 0.75- 1.5mm² is recommended for input and output terminal(s)(excluding signal terminals). Flat power cord is not suitable.Ensure all wire connections and polarities are correct before applying power to avoid any damages to the LED lights.
- 7.In case of malfunction, do not repair it yourself.

※ The contents of this manual are updated without prior notice. If the function of the product you are using is inconsistent with the instructions, the function of the product shall prevail.Please contact us if you have any questions .